



# SUBARU

**FORESTER FOG LIGHT KIT**

INSTALLATION INSTRUCTIONS

PART No. H4510SG000 / H4510SG010 / H4510SG080

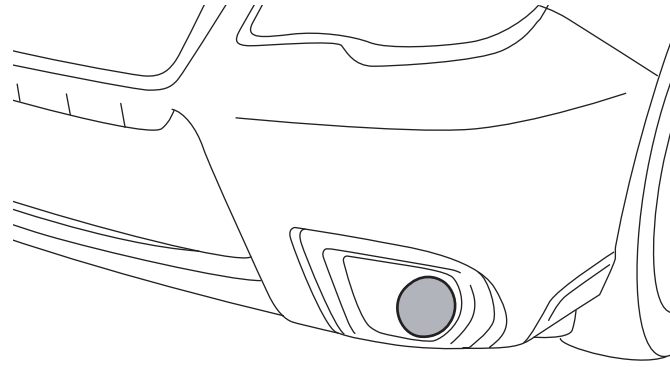
## ATTENTION



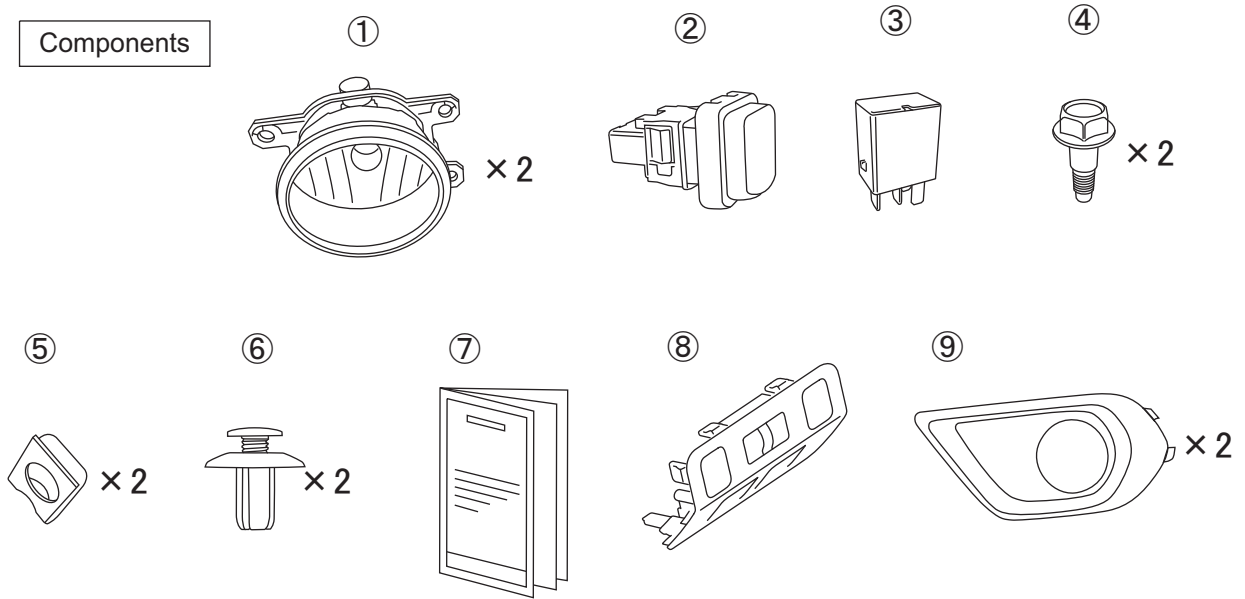
### IMPORTANT

1. Read all instructions before proceeding with installation. If uncomfortable performing any procedures, such as lamp aiming in step 17, have installation performed by a Subaru dealer technician.
2. Pay special attention not to damage vehicle components when removing / installing them.
3. Route wiring so that it does not rub against any sharp edges.

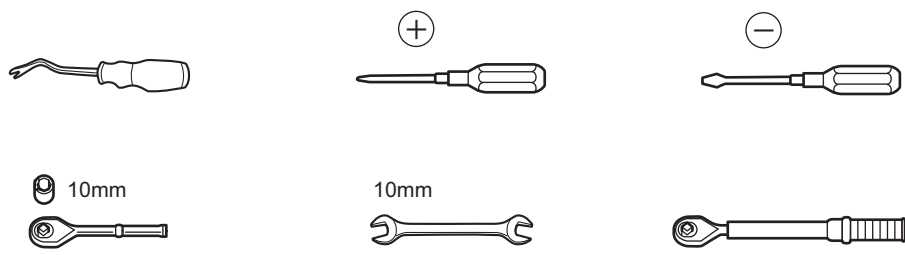
Rev 1.0



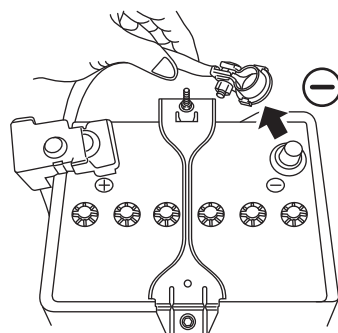
Components



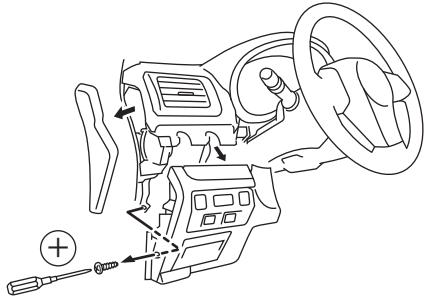
Tools



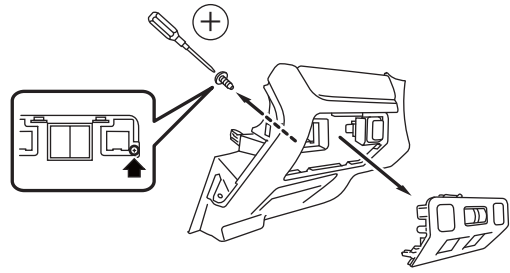
1



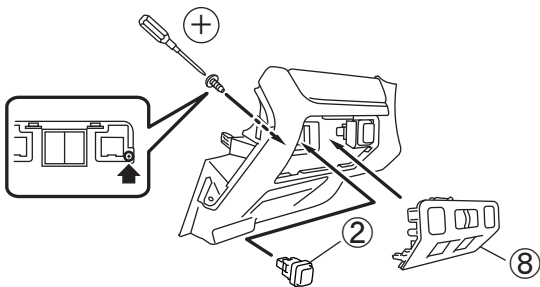
2



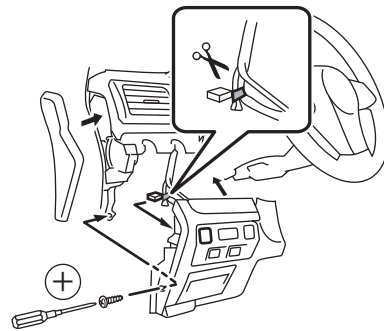
3



4

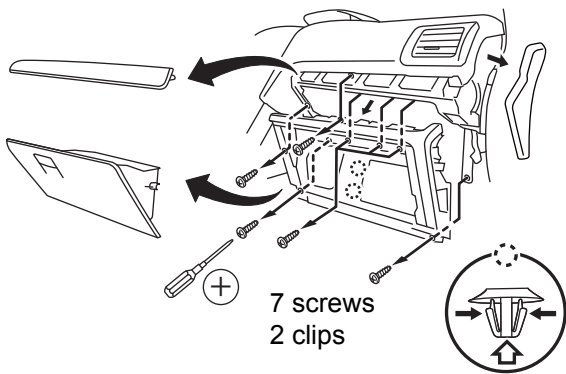


5

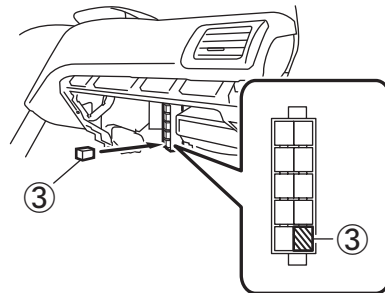


Transfer the switches or dials to the new panel.

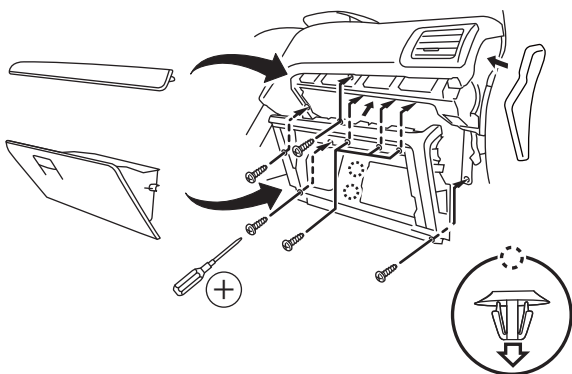
6



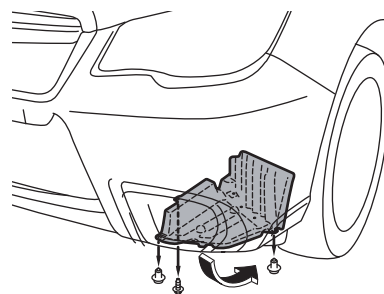
7



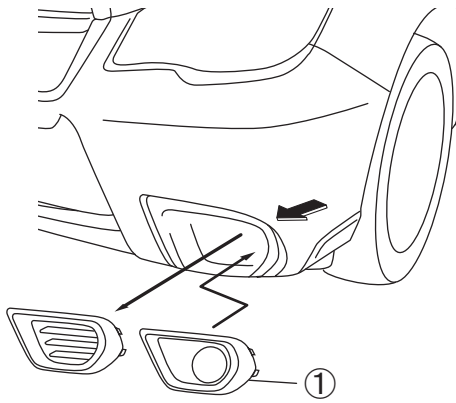
8



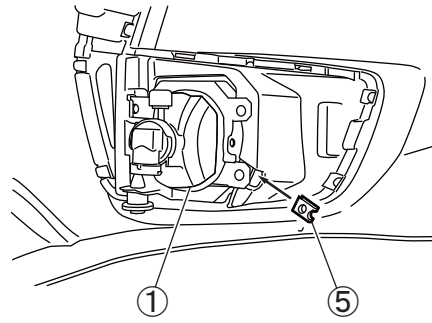
9



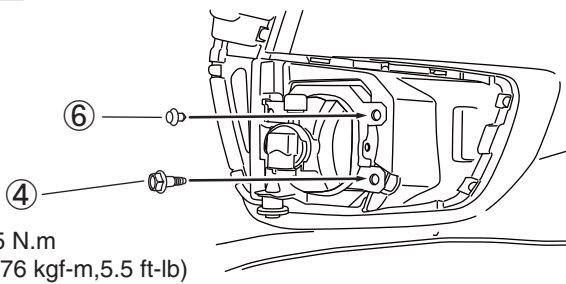
10



11



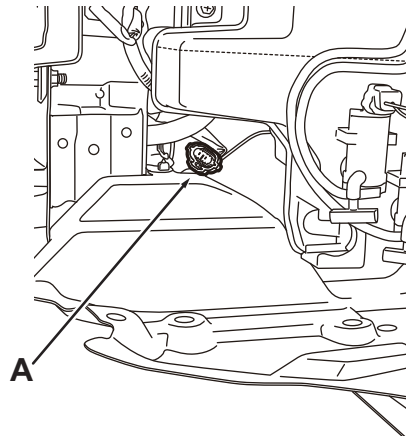
12



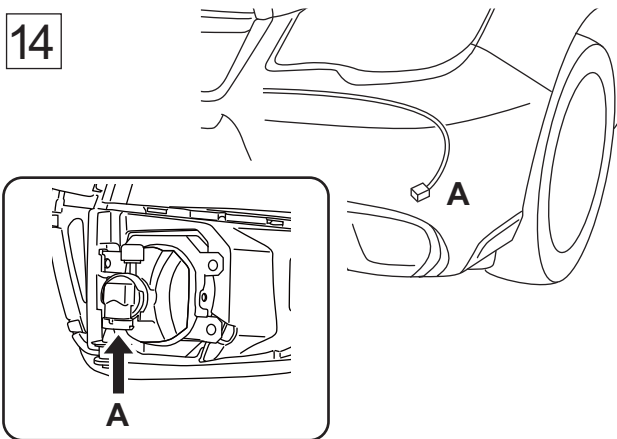
7.5 N.m  
(0.76 kgf-m, 5.5 ft-lb)

Install plastic retaining pin 6 before tightening bolt 4.

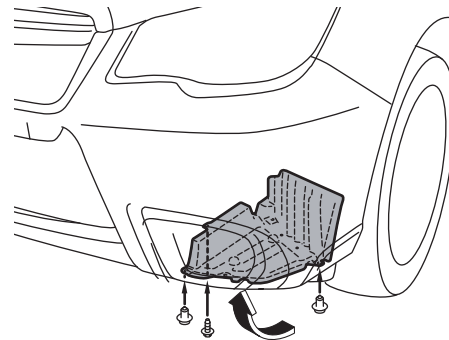
13



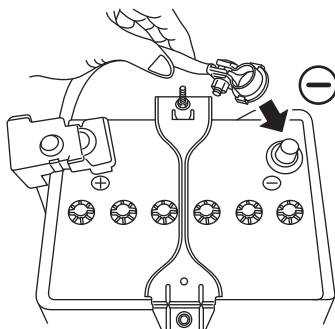
14



15



16



17

